

EXAMION MAXIVET 300HF**X-ray machine**

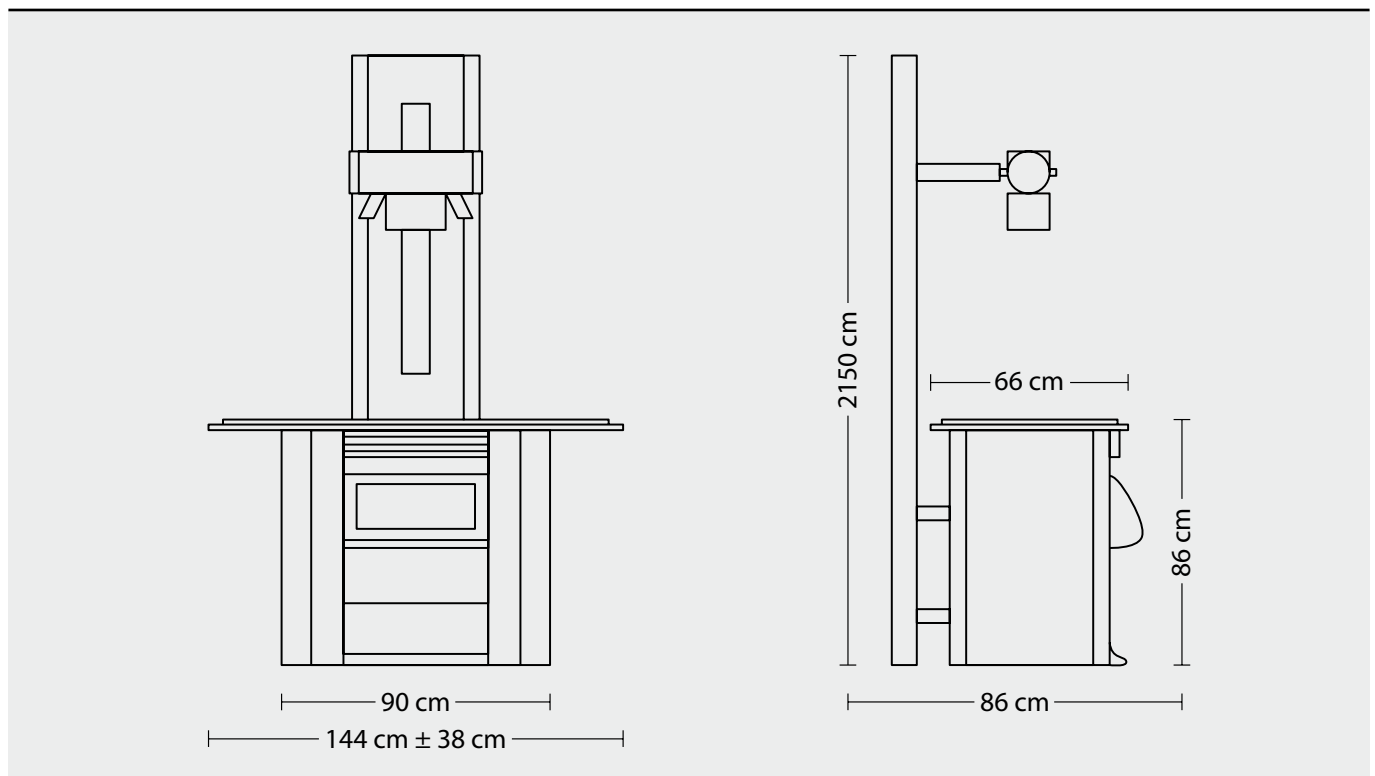
*Stationary CR/film x-ray machine
for radiological applications in the
small animal veterinary practice.*



- ✓ 125 kV and 300 mA
- ✓ High frequency
- ✓ Floating table top, operated electrically with footswitch
- ✓ Capacitor technology:
3.5 kW input → 30 kW output!
- ✓ Socket-capable
- ✓ X-ray emitter electrically height-adjustable
- ✓ 605 organ programmes

SPECIFICATIONS

HIGH FREQUENCY X-RAY DEVICE	OUTPUT POWER: 30 kW
	VOLTAGE RANGE: 40 - 125 kV
	CURRENT RANGE: 1.0 - 100 mAs
	SWITCHING TIME: 0.001 - 1.25 s
	MAINS CONNECTION: 230 V - 50 Hz 1-phase (socket-capable)
	CAPACITOR TECHNOLOGY: 3.5 kW input → 30 kW output
	FOOT RELEASE SWITCH: 2-stage with safety function
	TABLE HEIGHT: 850 mm
	TABLE TOP: 144 x 66 cm, offset ± 38 cm
	TUBE: Electrically height-adjustable
TUBE	Toshiba x-ray tube with rotary anode and dual focus 1.0/2.0 mm
COLLIMATOR	Manual rotation, halogen lamp, timer
ACCESSORIES	Incl. scattered radiation grid 40 L/cm, 35 x 43 cm



INTERNET	www.examion.com
EMAIL	info@examion.com
PHONE	+49 711/120 00 20
FAX	+49 711/618912
ADDRESS	Arzt & Praxis GmbH Maybachstraße 39 70469 Stuttgart / Germany



DISTRIBUTION AND SERVICE PARTNER

NEOLOGIS MEDICAL SRL
B-dul Liviu Rebreanu nr. 104
300755 Timisoara, Romania
Phone: +40 724 807 282
E-mail: office@neologis.ro
Web: www.neologis.ro

All information contained herein is intended for guidance purposes only, any characteristics of the products and services described in this publication can be changed at any time without notice. Products and services might not be available for your local area. We shall not be responsible for any typographical error.

All brand names or trademarks are the property of their respective owners. Contains hardware components of our technology partners.